

FURUNO®

FULL-CIRCLE MULTI-BEAM COLOR SCANNING SONAR

Model CSH-5L

- 360 degree transmission for instant detection of fish schools all around the vessel
- High power transmitter for long range fish detection and determining changing seabed conditions
- Audio search to relieve the skipper from continuous watch on screen
- Automatic tilt scanning to observe depth, range and bearing of a targeted fish school
- Compact hull unit to facilitate easy installation

The FURUNO CSH-5L is a cost-effective full-circle, multi-beam scanning sonar. It rapidly detects and displays individual fish, fish schools and changing underwater conditions. Fish distribution and seabed conditions in 360 degrees around your vessel are shown in 16 colors on a XGA LCD display.

The CSH-5L is provided in a BlackBox configuration for a space saving and flexible installation. There are three basic operating modes; normal sonar scan, sonar scan plus echo sounder and audio sector search. Audio search frees the skipper from a continuous watch on the screen and often helps him detect fish schools earlier than visual observation. A resultant A-scope echogram shows strengths of the echoes within the audio sector. Automatic tilt scanning and target lock are standard features, making the CSH-5L suitable for both midwater trawlers and purse seiners.



15" LCD
MU-151C

For short and long range operation, 16 range scales are available for use from 50 to 1600 meters. There are 4 user defined function keys, F1 thru F4, provided for rapid setup and operation of the CSH-5L.

The CSH-5L displays own ship's position, speed, course, heading and water temperature when connected with appropriate sensors such as GPS, satellite compass and an echo sounder. The data is conveniently shown on the right side of the display.

The CSH-5L Color Scanning Sonar consists of a compact hull unit, transceiver unit and processor unit. The display unit can be selected from a locally supplied XGA color monitor or the optional FURUNO MU-151C color LCD. For a remote station a second display may be simply plugged into the processor unit.



© The future today with FURUNO's electronics technology.

FURUNO ELECTRIC CO., LTD.

9-52 Ashihara-cho, Nishinomiya City, Japan Phone: +81 (0)798-65-2111

Fax: +81 (0)798 65-4200, 66-4622 URL: www.furuno.co.jp

Catalogue No. E-394c

TRADE MARK REGISTERED
MARCA REGISTRADA

SPECIFICATIONS OF CSH-5L

- Display** 15" color LCD FURUNO MU-151C, or PC monitor, 1024 x 768 pixels (XGA)
- Menu Language** English, Japanese, Spanish, Danish, Dutch, French, Italian, Korean, Norwegian
- Echo Presentation Colors** 16 colors representing echo strengths
- Operating Modes** Normal sonar scan, Combination of normal and echo sounder, Combination of normal and audio search
- Sonar Frequency** 55 or 68 kHz
- Range Scales** 50, 85, 100, 150, 200, 250, 300, 350, 400, 450, 500, 600, 800, 1000, 1200, 1600 m
- Echo Sounder Range** 20, 40, 80, 120, 160, 240, 320 m
- Pulselength (depending on range scales)** 0.5 to 20 ms
- Ship Speed** 18 kt max (raise/lower operation up to 16 kt)
- Tilt** Manual control: 0° to 55° in 1° steps
Automatic tilt scan: 4° to 26°
- Audio Search** Sector: 20°, 40°, 80°, 120°
Audio Output: 2 W, Frequency, 800 Hz
- Power Supply** 115/230 VAC, 50-60 Hz, 0.4 kVA
(Raise 1 kVA)
24 VDC with optional DC-AC inverter

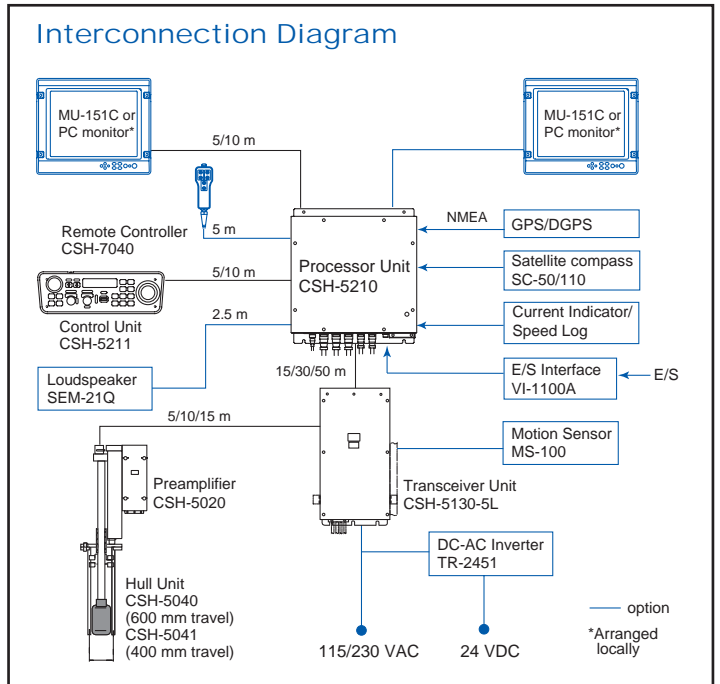
Option

1. DC-AC Inverter TR-2451
2. Interface Unit VI-1100A
3. Remote Controller CSH-7040
4. Loudspeaker SEM-21Q
5. Motion Sensor MS-100

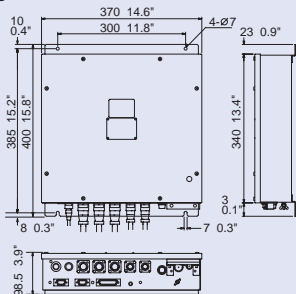
EQUIPMENT LIST

Standard

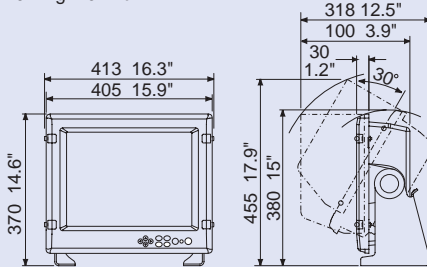
- | | |
|---|--------|
| 1. Processor Unit CSH-5210 | 1 unit |
| 2. Control Unit CSH-5211 | 1 unit |
| 3. Transceiver Unit CSH-5130-5L | 1 unit |
| 4. Preamplifier CSH-5020 | 1 unit |
| 5. Hull Unit 400 mm or 600 mm travel | 1 unit |
| 6. Installation Materials and Spare Parts | 1 set |
- * Display Unit is not supplied as standard.



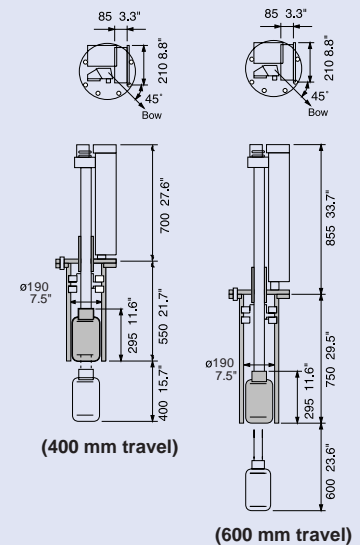
Processor Unit CSH-5210
3.4 kg 7.5 lb



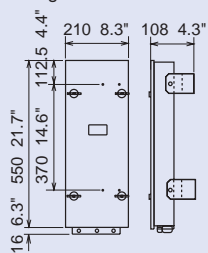
Display Unit MU-151C (option)
9.1 kg 20.1 lb



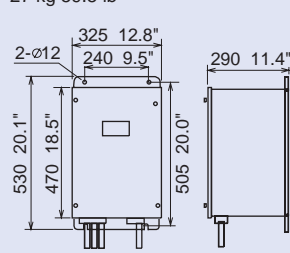
Hull Unit CSH-5041 CSH-5040
70 kg 154 lb 75 kg 165 lb



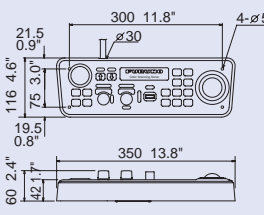
Preamplifier CSH-5020
6.5 kg 14.3 lb



Transceiver Unit CSH-5130-5L
27 kg 59.5 lb



Control Unit CSH-5211
3.5 kg 7.7 lb



SPECIFICATIONS SUBJECT TO CHANGE WITHOUT NOTICE

FURUNO U.S.A., INC.
Camas, Washington, U.S.A.
Phone: +1 360-834-9300
Fax: +1 360-834-9400

FURUNO (UK) LIMITED
Havant, Hampshire, U.K.
Phone: +44 2392-441000
Fax: +44 2392-484316

FURUNO FRANCE S.A.
Bordeaux-Mérignac, France
Phone: +33 5 56 13 48 00
Fax: +33 5 56 13 48 01

FURUNO ESPAÑA S.A.
Madrid, Spain
Phone: +34 91-725-90-88
Fax: +34 91-725-98-97

FURUNO DANMARK AS
Hvidovre, Denmark
Phone: +45 36 77 45 00
Fax: +45 36 77 45 01

FURUNO NORGE A/S
Ålesund, Norway
Phone: +47 70 102950
Fax: +47 70 127021

FURUNO SVERIGE AB
Västra Frölunda, Sweden
Phone: +46 31-7098940
Fax: +46 31-497093

FURUNO FINLAND OY
Espoo, Finland
Phone: +358 9 4355 670
Fax: +358 9 4355 6710

FURUNO POLSKA Sp. Z o.o.
Gdynia, Poland
Phone: +48 58 669 02 20
Fax: +48 58 669 02 21

FURUNO DEUTSCHLAND GmbH
Rellingen, Germany
Phone: +49 4101 838 0
Fax: +49 4101 838 111

LLC FURUNO EURUS
Petersburg, Russia
Phone: +7 812 767 15 92
Fax: +7 812 766 55 52



06093N Printed in Japan

